

Hypertherm®

powermax1650® G3 SERIES®

Machine torch parts

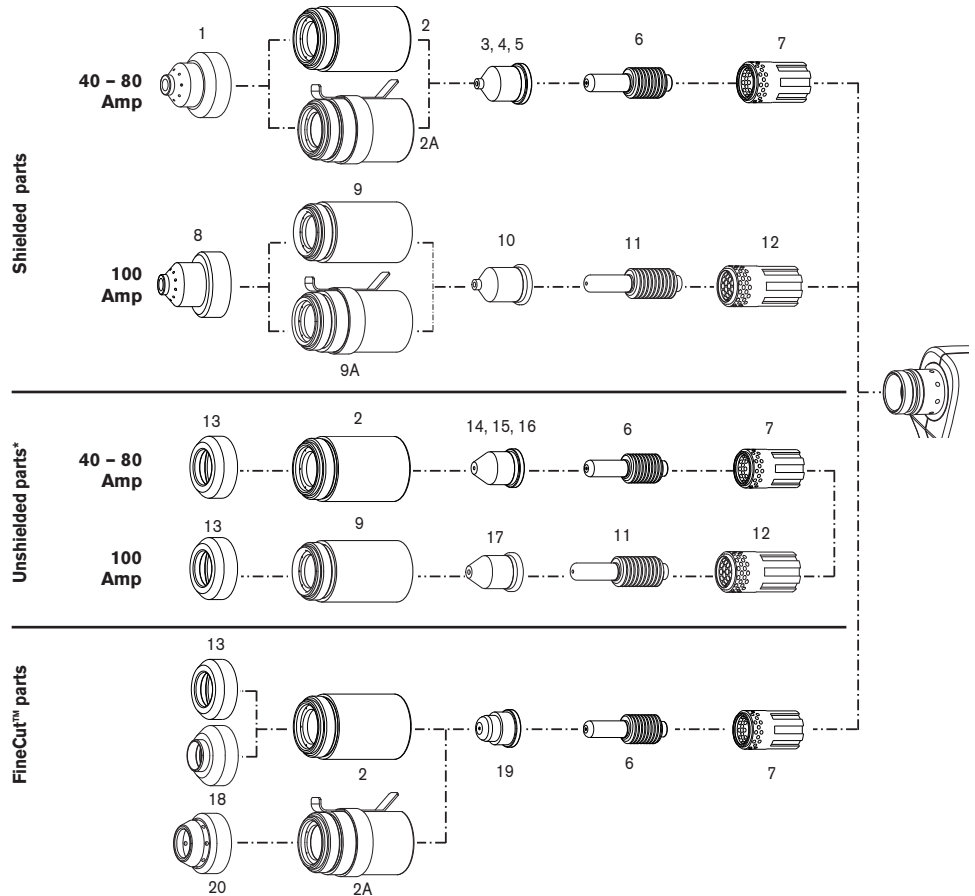
T100 consumables



Powermax1650

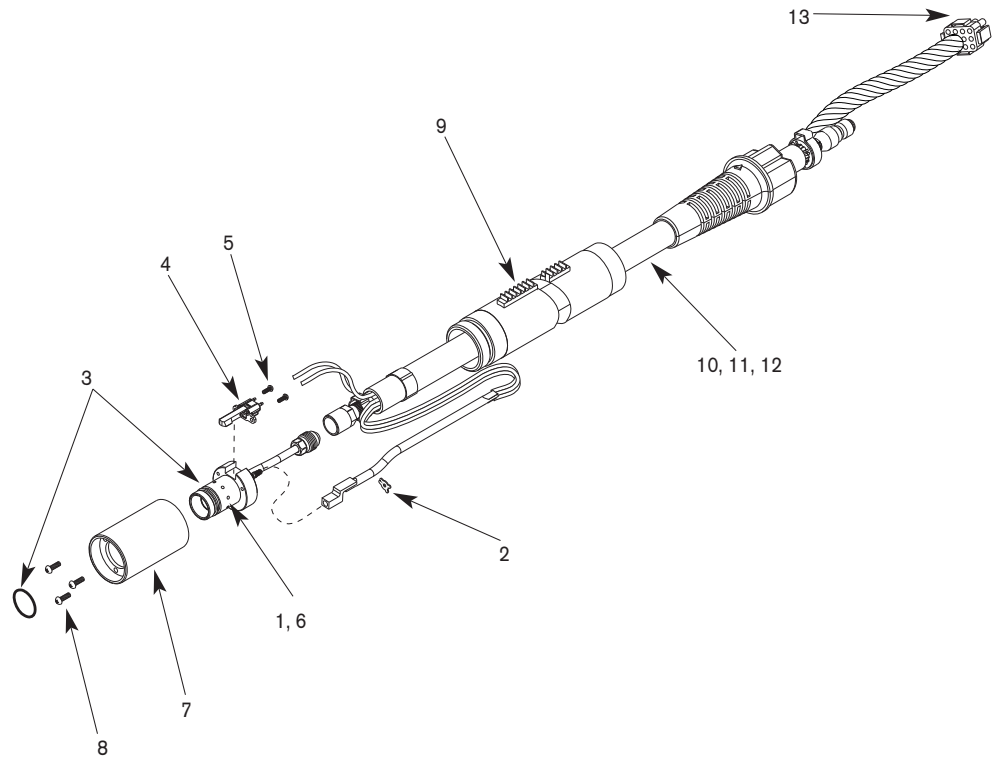


T100M torch



	DESCRIPTION	100 AMP		80 AMP		60 AMP		40 AMP		QUANTITY PER PACKAGE
		ITEM NUMBER	PART NUMBER	ITEM NUMBER	PART NUMBER	ITEM NUMBER	PART NUMBER	ITEM NUMBER	PART NUMBER	
Shielded parts	Shield	8	220047	1	120930	1	120930	1	120930	1
	Retaining cap	9	220048	2	120928	2	120928	2	120928	1
	Retaining cap, ohmic	9A	220206	2A	220061	2A	220061	2A	220061	1
	Nozzle	10	220011	5	120927	4	120931	3	120932	5
	Electrode	11	220037	6	120926	6	120926	6	120926	5
	Swirl ring	12	220051	7	120925	7	120925	7	120925	1
Unshielded parts*	Deflector	13	120979	13	120979	13	120979	13	120979	1
	Retaining cap	9	220048	2	120928	2	120928	2	120928	1
	Nozzle	17	220064	16	120980	15	220007	14	220006	5
	Electrode	11	220037	6	120926	6	120926	6	120926	5
	Swirl ring	12	220051	7	120925	7	120925	7	120925	1
FineCut™ parts	Deflector	—	—	—	—	—	—	13	120979	1
	Deflector, CE	—	—	—	—	—	—	18	220325	1
	Shield, ohmic	—	—	—	—	—	—	20	220404	1
	Retaining cap	—	—	—	—	—	—	2	120928	1
	Retaining cap, ohmic	—	—	—	—	—	—	2A	220061	1
	Nozzle	—	—	—	—	—	—	19	220329	5
	Electrode	—	—	—	—	—	—	6	120926	5
Swirl ring	—	—	—	—	—	—	7	120925	1	

Powermax 1650 T100M machine torch assembly



T100M torch

ITEM NUMBER	PART NUMBER	DESCRIPTION	QUANTITY PER PACKAGE
	059265*	T100M machine torch assembly with 25 ft (7.6 m) Lead	
	059268*	T100M machine torch assembly with 35 ft (10.7 m) Lead	
	059272*	T100M machine torch assembly with 50 ft (15.2 m) Lead	
1	128754	T100M torch main body replacement kit	1
2	027889	Retaining clip	1
3	058519	O-ring	1
4	128639	Cap-off sensor replacement kit	1
5	075571	Cap-off sensor screws	2
6	128768	T100/T100M torch head repair kit	1
7	128643	Torch mounting sleeve replacement kit	1
8	075004	Torch mounting screws	3
9	128710	Torch positioning sleeve (with rack)	1
9	220070	Torch positioning sleeve (without rack)	1
10	128753	25 ft (7.6 m) torch lead replacement kit	1
11	128751	35 ft (10.7 m) torch lead replacement kit	1
12	128759	50 ft (15.2 m) torch lead replacement kit	1
13	128638	ETR repair kit (regional repair centers only)	1
	128645	Torch mounting kit (for reassembly after installation)	1

* Assembly includes consumables